

THIS DRAWING IS UNPUBLISHED.

RELEASED FOR PUBLICATION

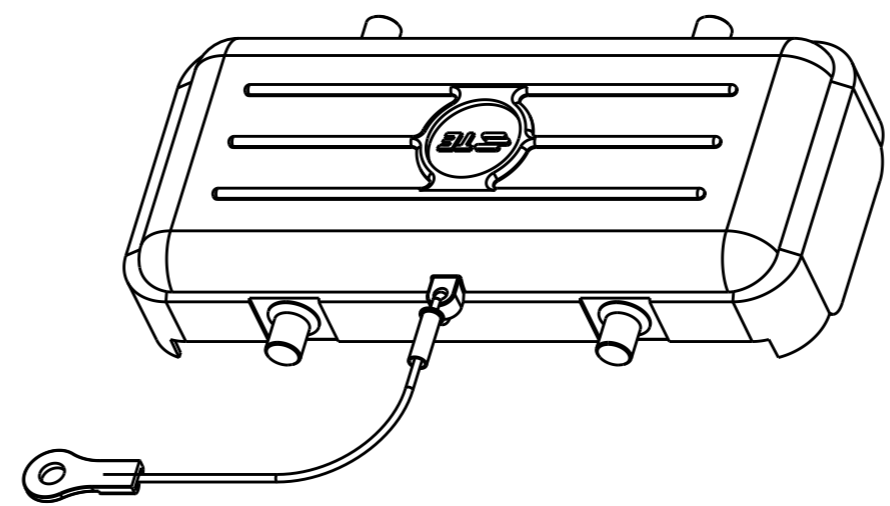
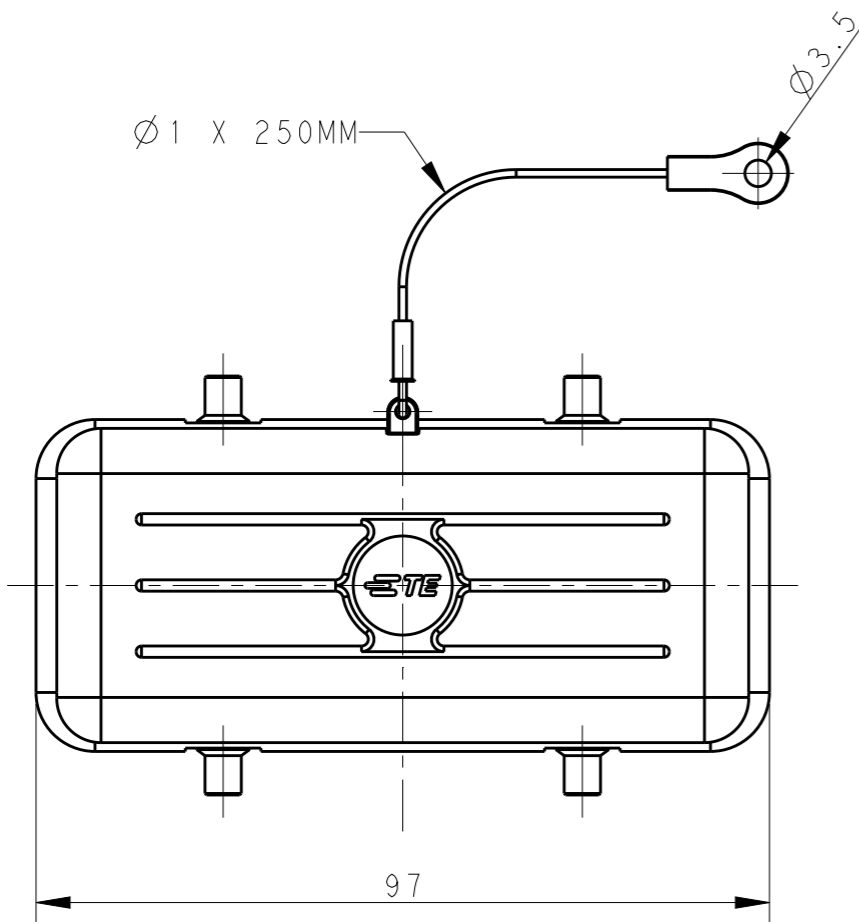
20

© COPYRIGHT 20 BY -

ALL RIGHTS RESERVED.

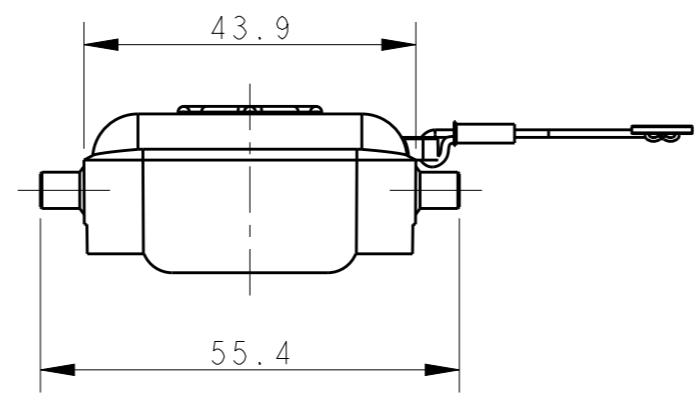
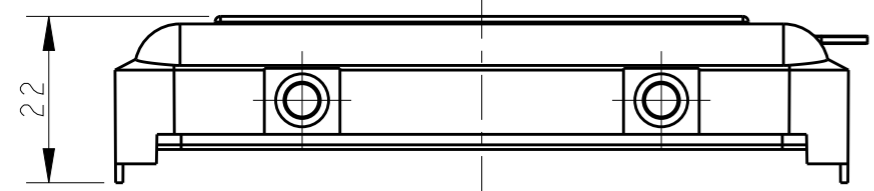
REVISIONS


P	LTR	DESCRIPTION	DATE	DWN	APVD
	A	INITIAL	08JUN2015	DW	CW



NOTES:  
 1. TECHNICAL CHARACTERISTICS:  
 COVER MATERIAL: PC  
 OPERATION TEMPERATURE: -40-+125°C

注释:  
 1. 技术参数:  
 保护盖材料: PC  
 工作温度: -40-+125°C



THIS DRAWING IS A CONTROLLED DOCUMENT.		DWN David Wang 08JUN2015	 TE Connectivity	
DIMENSIONS: mm		CHK Chris Wang 08JUN2015		
TOLERANCES UNLESS OTHERWISE SPECIFIED:		APVD Xiang Xu 08JUN2015	NAME H16B-KDB H16B HOUSING PLASTIC PROTECTION COVER	
0 PLC ±- 1 PLC ±- 2 PLC ±- 3 PLC ±- 4 PLC ±- ANGLES - ±		PRODUCT SPEC -	SIZE A300779	
MATERIAL -		FINISH -	APPLICATION SPEC -	DRAWING NO C-T1010162100000
		WEIGHT -	RESTRICTED TO -	
		Customer Drawing	SCALE 1:1	SHEET 1 OF 1
			REV A	